

CLOTHES AIRER ASSEMBLY INSTRUCTIONS

List of Contents

- 4 Wooden Laths for Traditional, Victorian and Classic Airers
- 6 Wooden Laths for Six Lath Victorian Supreme Airer
- 5 or 7 Wooden Laths for Gismo Airer.
- 1 x Double Pulley
- 2 x Cast Iron Ends
- 1 x Single Pulley
- 1 x Rope
- 1 x Cast Iron Cleat
- 2 x Screws

1. Choose a position for the airer. It needs to be close to an adjacent wall, into which the cleat will be screwed to secure the rope.
2. Locate a wooden beam or joist within your ceiling into which the pulleys should be screwed. This can be done by gently tapping the ceiling with the handle of a screwdriver. A hollow sound is heard where there is no joist, keep tapping across the ceiling until the sound changes to a solid sound to locate the beam.

3. Prepare two ceiling fixing points so that they are:

- 76cm** apart for the **0.9 metre (3ft)** length airer
- 100cm** apart for the **1.2 metre (4ft)** length airer
- 126cm** apart for the **1.5 metre (5ft)** length airer
- 150cm** apart for the **1.8 metre (6ft)** length airer
- 176cm** apart for the **2.1 metre (7ft)** length airer
- 200cm** apart for the **2.4 metre (8ft)** length airer

4. Using a **4mm drill bit**, drill 2 pilot holes into the ceiling at the fixing positions you have marked ready to screw the pulleys into. Make sure that you drill the holes **deep enough** to accommodate the full length of the pulley screw. Use a couple of drops of **light oil** or washing up liquid on the pulley screw thread to help the screw easily twist into the hole.

5. The **double pulley** fixing point should be the one closer, of the two, to the place where the cleat is going to be mounted.

The **single pulley** fixing point should be furthest from the cleat.

Screw the pulleys into the pre-drilled holes you made earlier in the ceiling at these points.

6. **Diagram 1** shows how the rope should be threaded through the pulleys. Thread the rope ends through the eyes of the cast iron airer ends and tie them off so they are securely attached to the cast iron airer ends.

Insert the wooden rails into the slots leaving :

7. **7cm** at both ends for the **0.9 metre (3ft)** length airer
- 10cm** at both ends for the **1.2 metre (4ft)** length airer
- 12cm** at both ends for the **1.5 metre (5ft)** length airer
- 15cm** at both ends for the **1.8 metre (6ft)** length airer
- 17cm** at both ends for the **2.1 metre (7ft)** length airer
- 20cm** at both ends for the **2.4 metre (8ft)** length airer

8. Pull the looped cord till the airer ends are close to the pulleys on the ceiling. Find a place on the wall, between waist and chest height, to fix the cleat making sure the rope is not hindering the upward and downward movement of the rails (**Diagram 3**). Fix the cleat to the wall using the wall plugs and screws provided.

9. **Diagram 2** Let down the airer to a height, at which you feel comfortable, to load with laundry. Tie a knot in the looped cord at the point it is at on the cleat. This is so you can hook the rope on the cleat while you are loading your airer. This knot is really IMPORTANT as it locks the 2 ropes together preventing them moving at different rates. The airer MUST be horizontal when the knot is tied.

Pull up the airer till the hangers are again close to the pulleys. Tie another knot in the looped cord at the point it is at with the cleat. This is so you can hook the rope on the cleat to hold you airer up in the air while your clothes are drying.

Your airer is now operational and will give you many years of problem free use.

If you have ordered an **optional extra double pulley**, which will allow you to extend and guide the rope further away from the airer for more ease of use, fix the pulley inline with the other two at the required distance away and thread the rope through this pulley first. (See **Diagram 4**)

Diagram 1

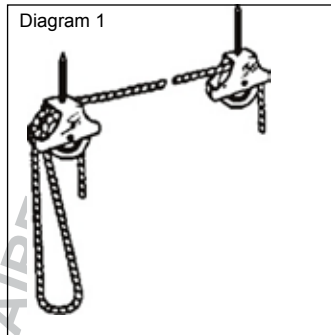


Diagram 2

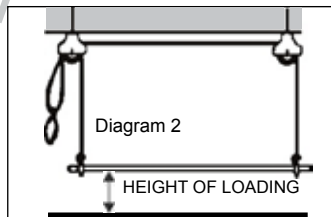
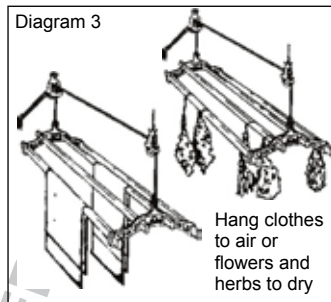


Diagram 3



Telephone: 08443 57 56 54 or +44(0)1902 455700

Web: <http://www.castinstyle.co.uk>

Email: support@castinstyle.co.uk

Cast in Style, The Old Stables, Lincoln Works, Lincoln Street,

Wolverhampton, West Midlands, WV10 0DX, England

Registered in England No. 04483066

Copyright Cast in Style Ltd 2000-2011